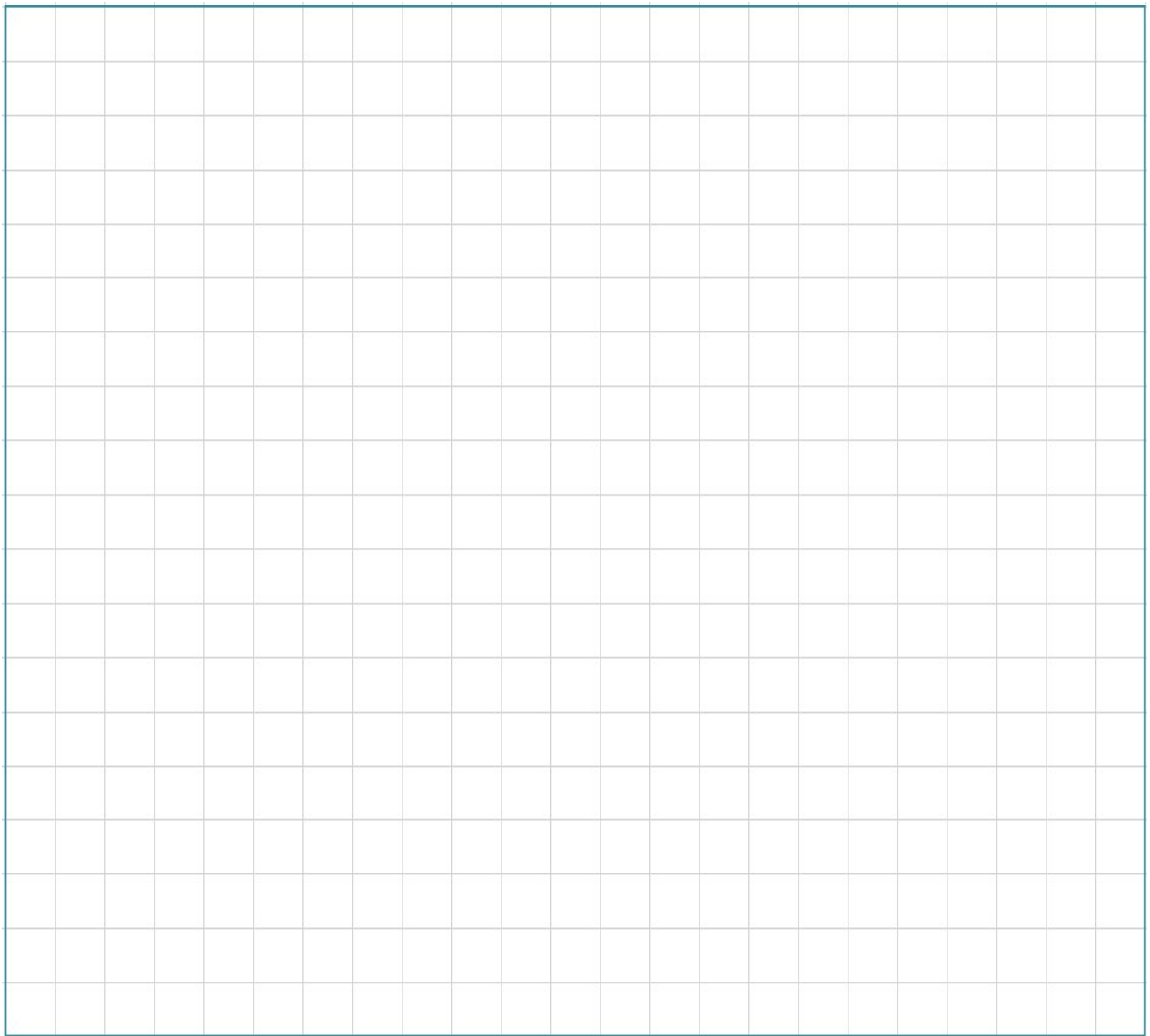


STEP-BY-STEP MEASURING GUIDE

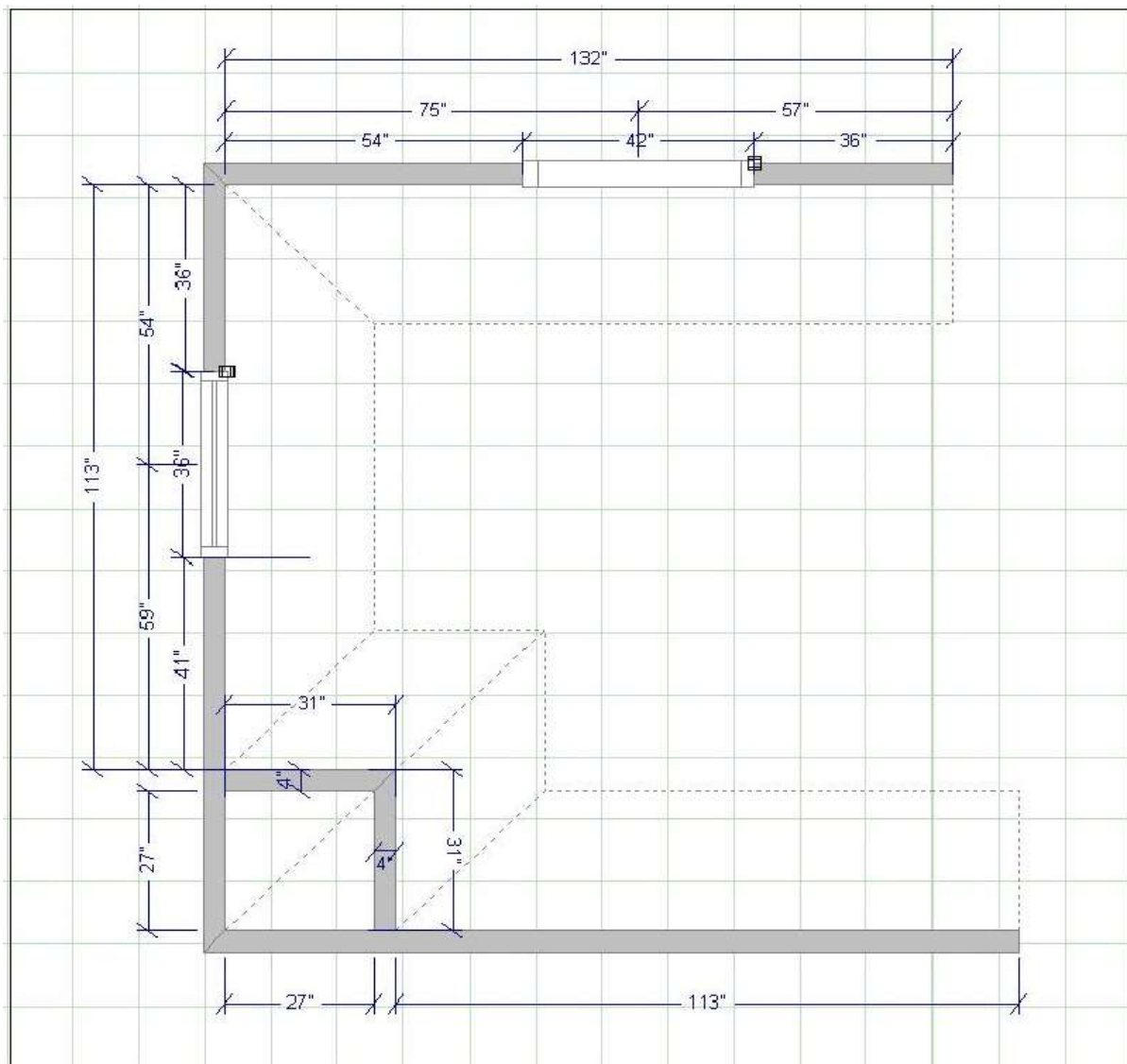
You will need a tape measure, grid paper and a pencil.
Take your time and double check all measurements for accuracy.



STEP-BY-STEP MEASURING GUIDE

STEP 1

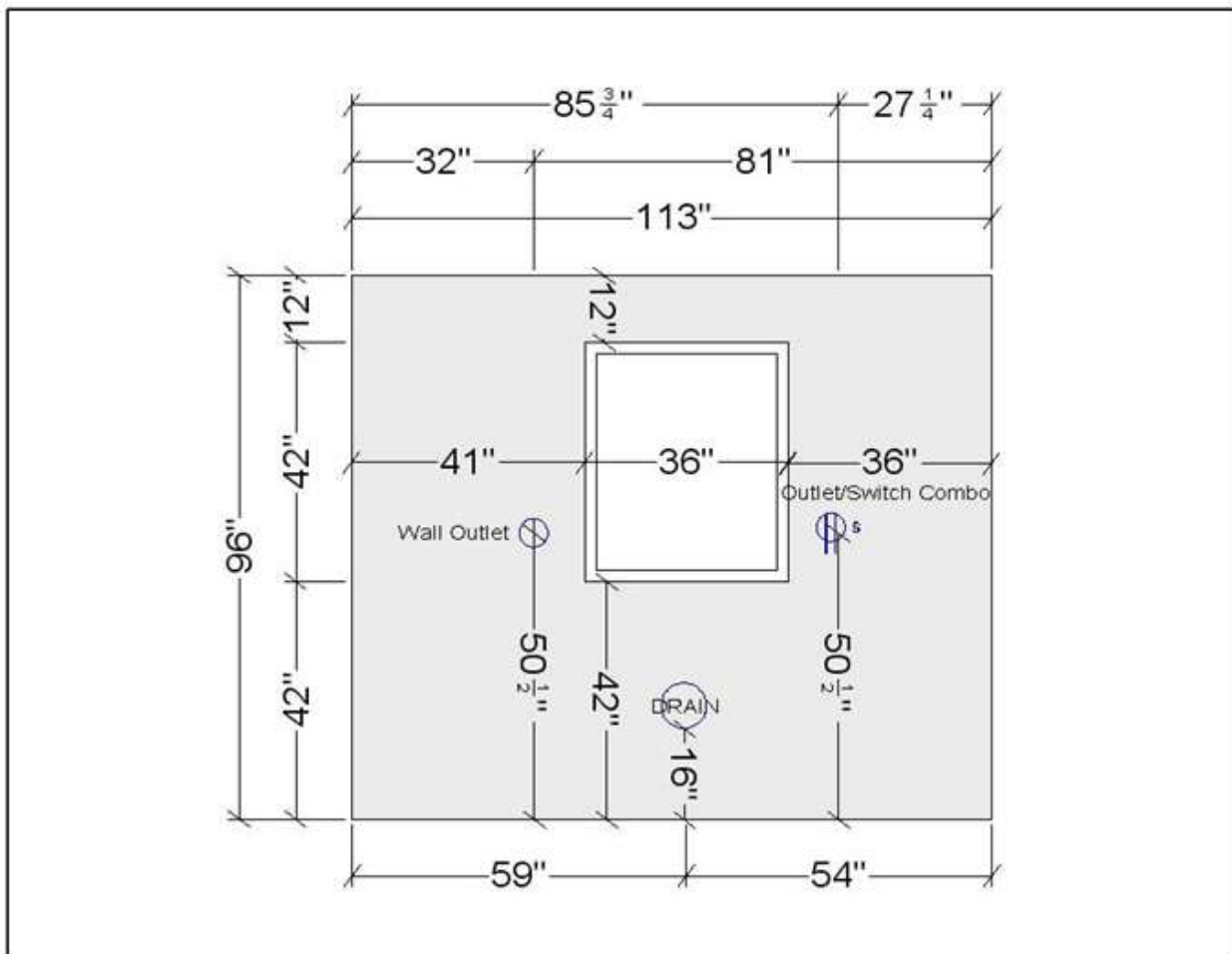
Begin in a corner of the room with a tape measure and measure to an adjacent wall. Measure in inches only, not feet. Record your first measurement and continue around all the walls that will be needed for cabinetry installation. Draw your floor plan and add your measurements like the example here.



STEP-BY-STEP MEASURING GUIDE

STEP 2

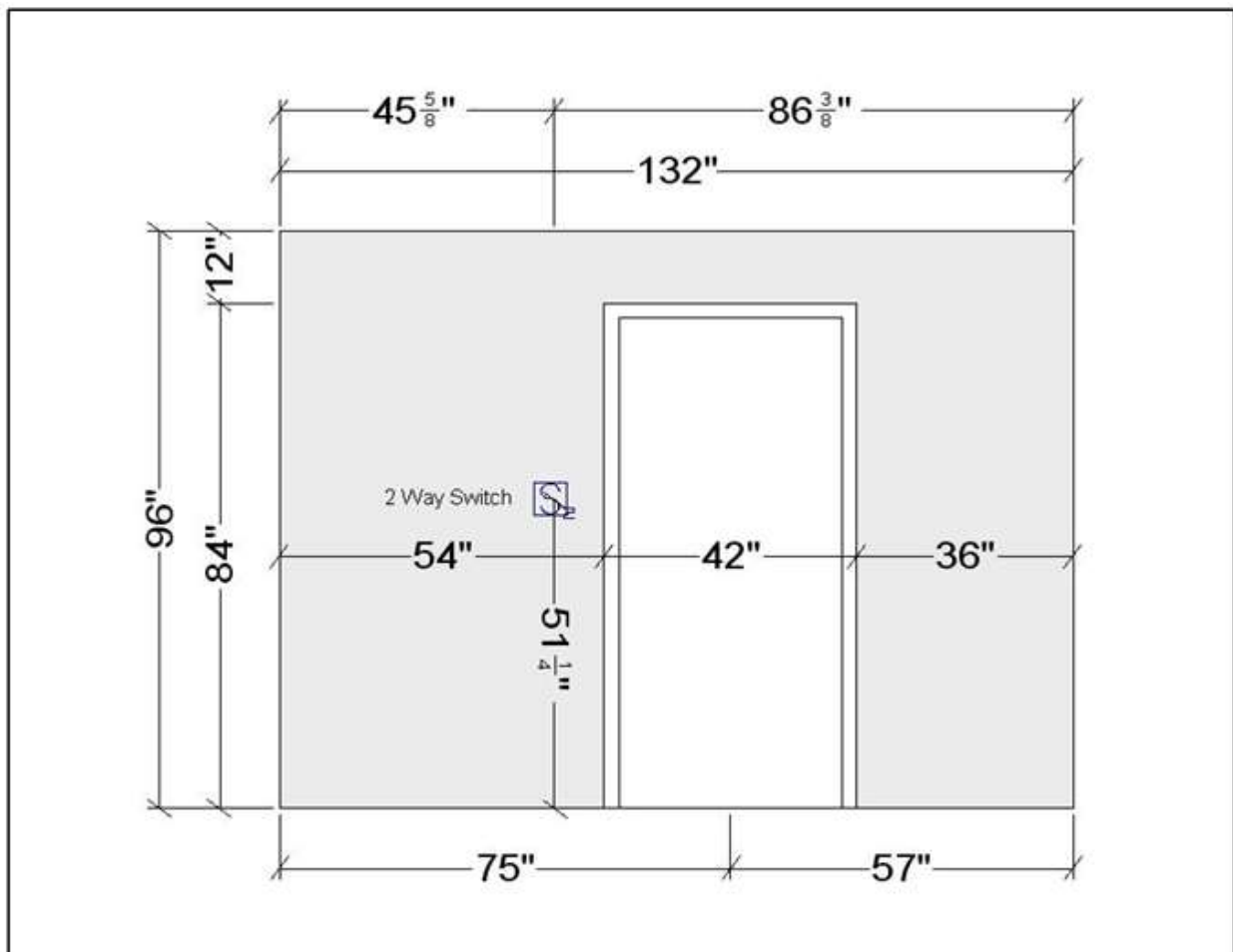
Draw an elevation of each wall. Measure all doors, windows, and wall openings. The door, window, and opening trim are considered part of the opening and should be included in the measurement. Measure from floor to ceiling. Record your measurements on your plan.



STEP-BY-STEP MEASURING GUIDE

STEP 3

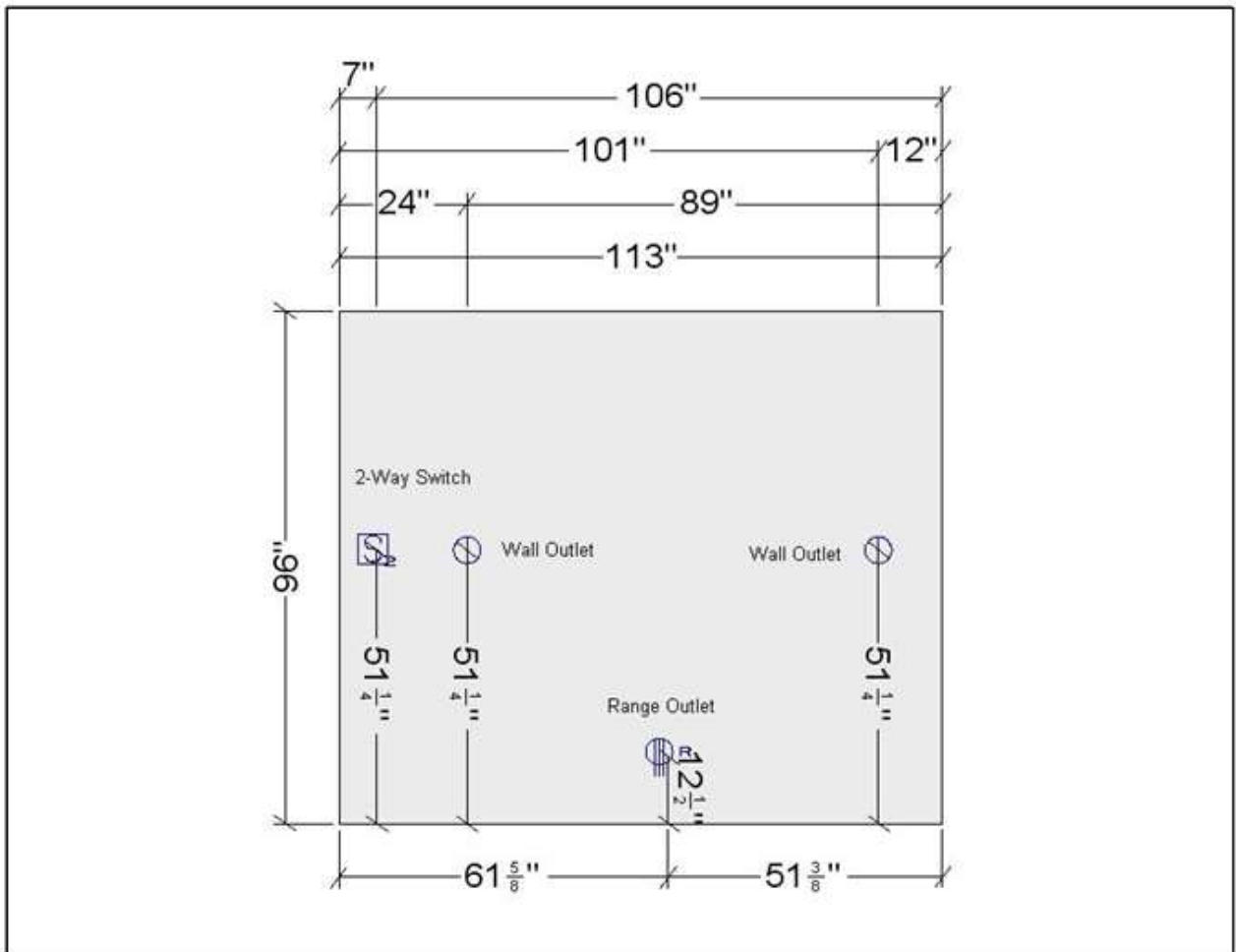
Locate all of the openings on your floor plan. Measure from the wall corner to the outside edge of the opening trim. Measure the opening trim to trim. Measure the other outside edge of the trim to the adjacent wall. Note this on your floor plan and elevation. Repeat.



STEP-BY-STEP MEASURING GUIDE

STEP 4

Note ceiling height as well as outlet and switch locations. The plumbing placement for your sink should be shown. Add any other notes that will help your designer reproduce your room for cabinet design purposes. Be sure and make a note of anything that your designer may need to know to help design your new kitchen.





STEP-BY-STEP MEASURING GUIDE

STEP 5

APPLIANCE AND FIXTURE INFORMATION

	Type	Size W x D x H	Model Number
Refrigerator			
Range			
Cooktop			
Exhaust Hood			
Wall Oven			
Microwave			
Dishwasher			
Sink			
Disposal			
Compactor			
Freezer			
Other			



STEP-BY-STEP MEASURING GUIDE

STEP 6

Take Picture of Your Space



Take picture of your kitchen. That will help our designers better understand the space and make sure nothing was missed.

Send your sketch and measurements to us.

Scan or take a picture with your phone and email it to info@shoppingcabinets.com. Our designers will reach out to you shortly. Start looking through the cabinets on our website to find a cabinet door style and the color you like.

Congratulations!

You have completed measuring your kitchen